

Solar Panel Array Frame



Primary components are 1" EMT conduit, Maker Pipe fittings & Tamarack Solar rails

Solar Panel Array Frame



Primary components are 1" EMT conduit, Maker Pipe fittings & Tamarack Solar rails

Relocatable Off-Grid Solar System



First two solar panel array frames set in place

Relocatable Off-Grid Solar System



First two solar panel arrays being completed

Relocatable Off-Grid Solar System



800 Watts of solar panels setup

Relocatable Off-Grid Solar System



Final solar panel array frame set in place

Relocatable Off-Grid Solar System



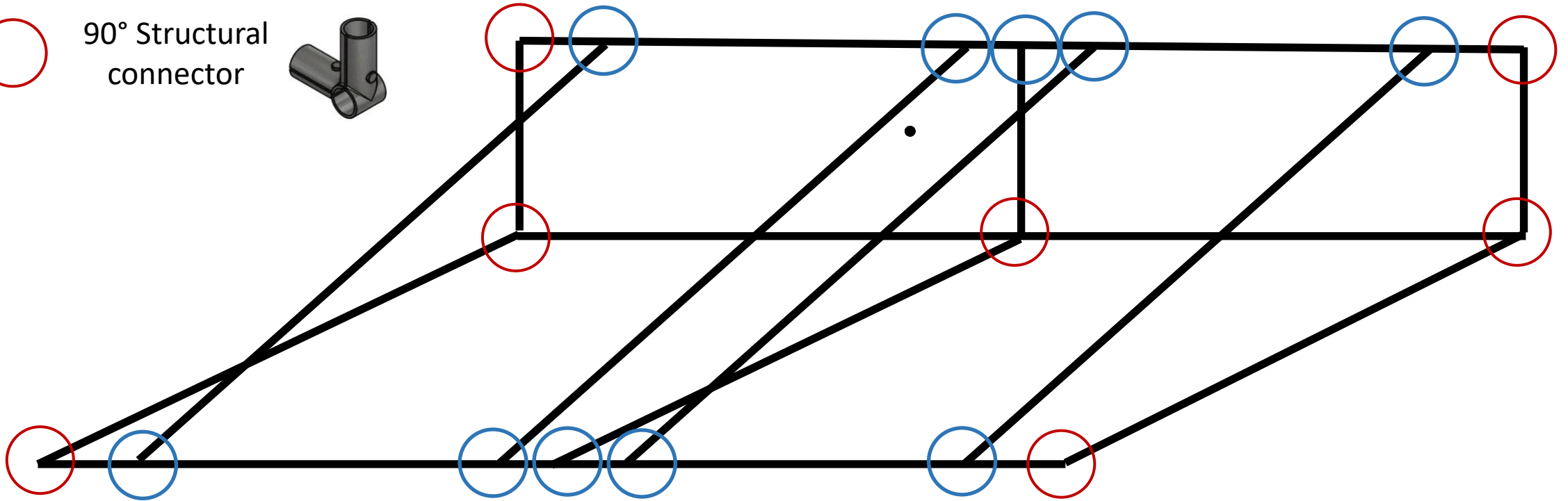
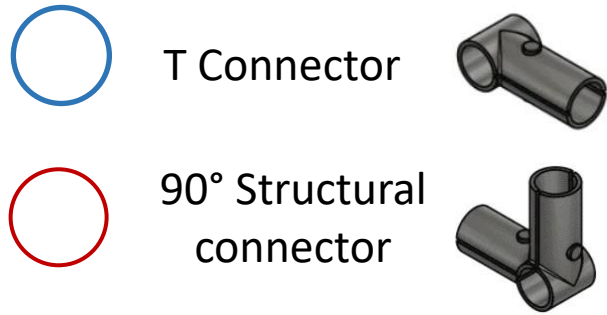
Final solar panel array frame set in place

Relocatable Off-Grid Solar System



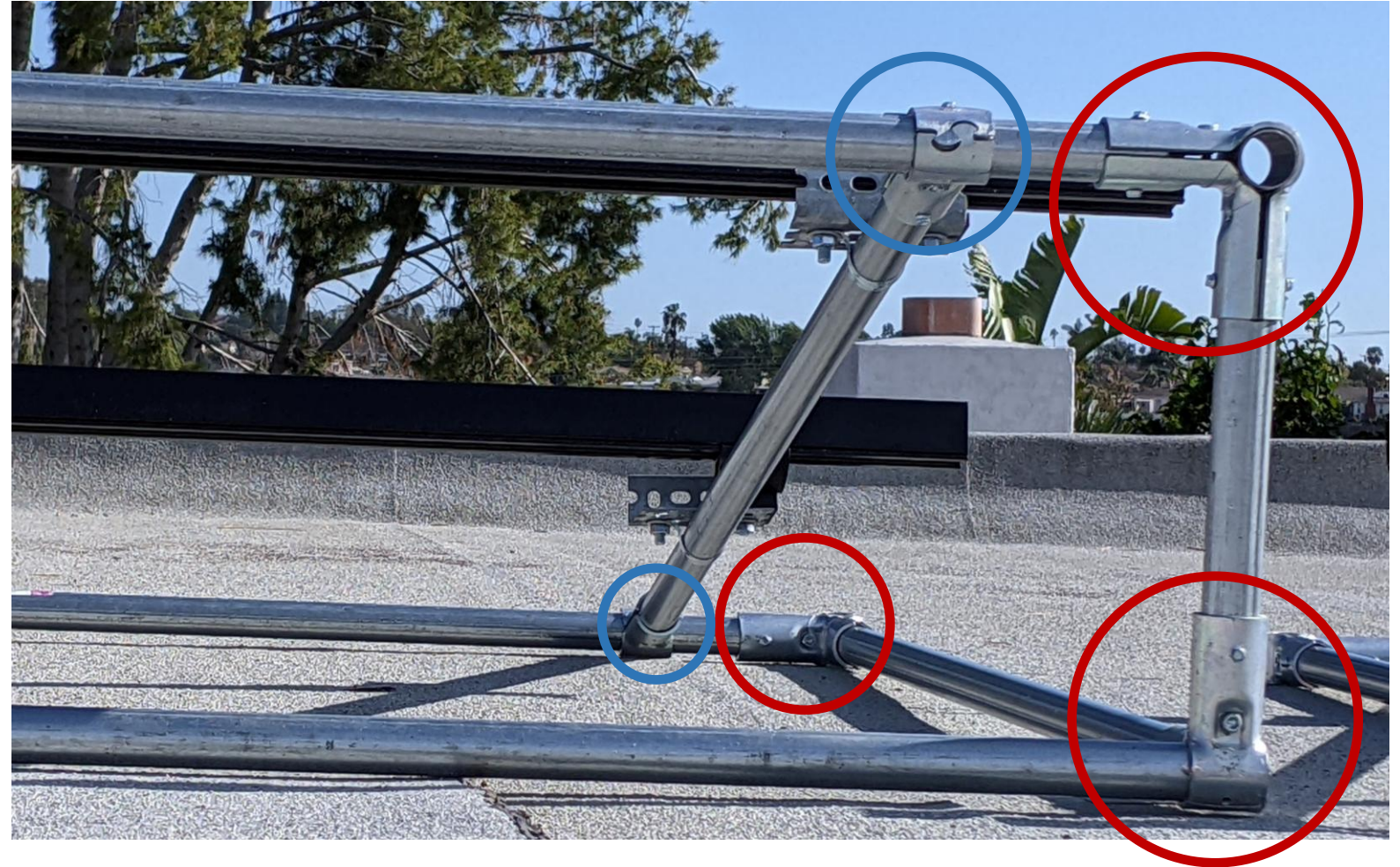
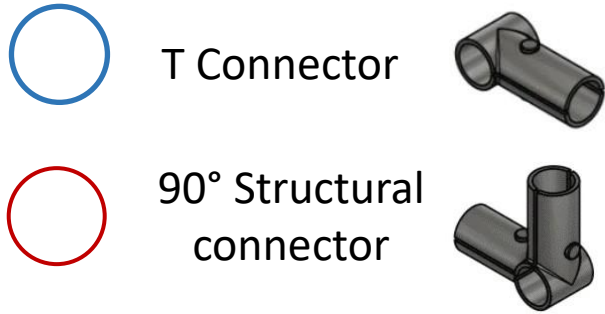
Completed 1200 Watt relocatable solar panel array

Solar Panel Array Frame



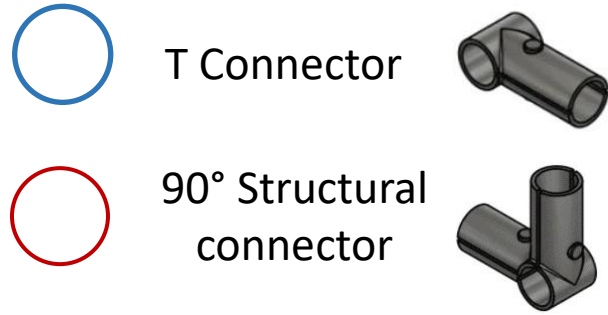
Maker Pipe Connector Type & Location

Solar Panel Array Frame



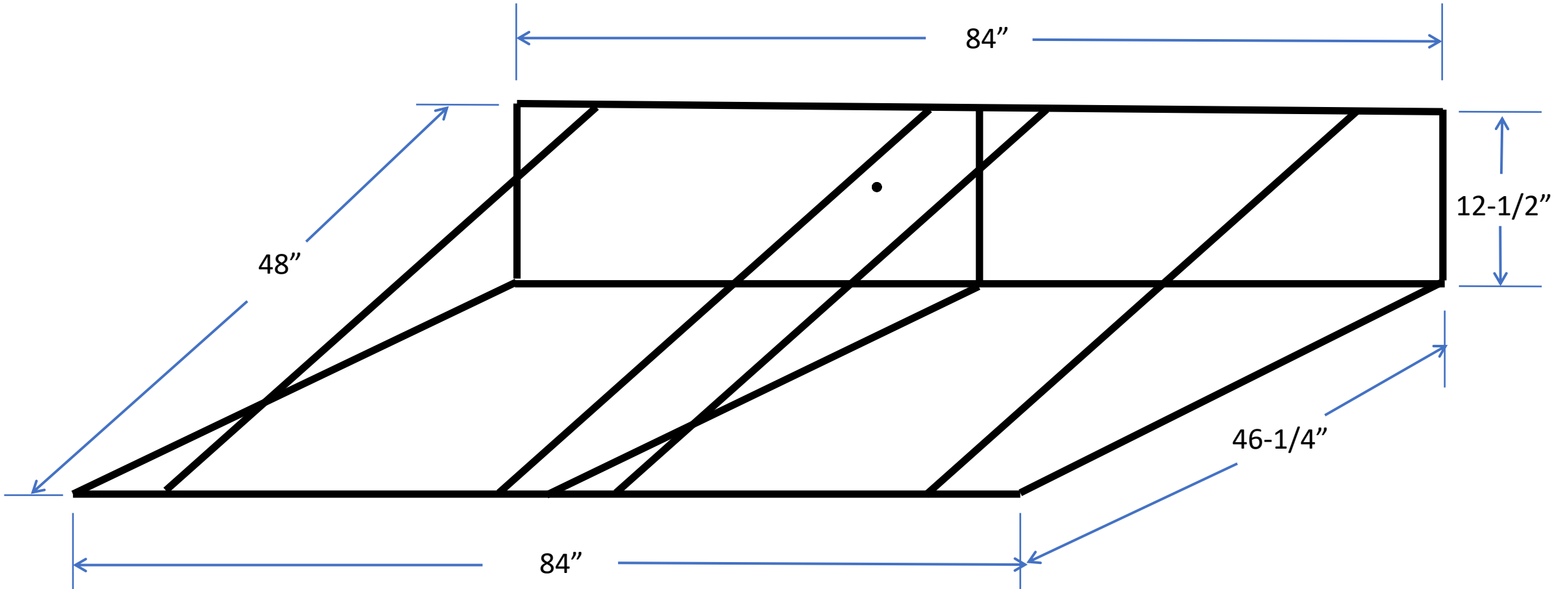
Maker Pipe Connector Type & Location

Solar Panel Array Frame



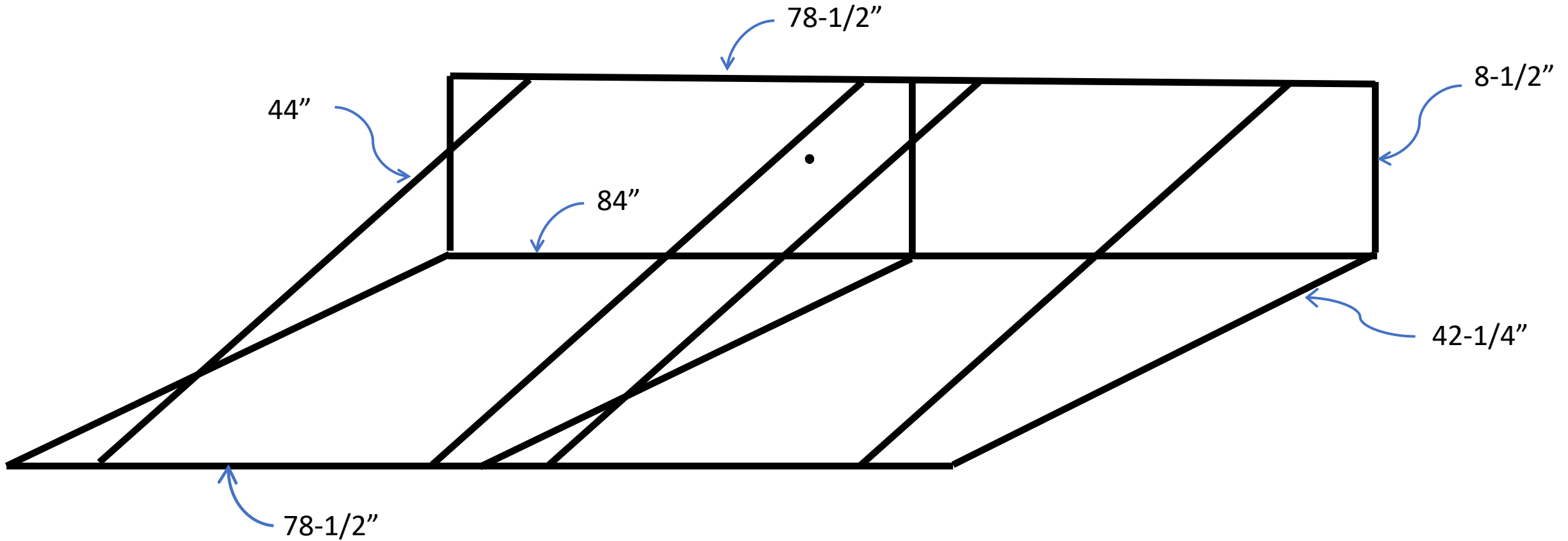
Maker Pipe Connector Type & Location

Solar Panel Array Frame



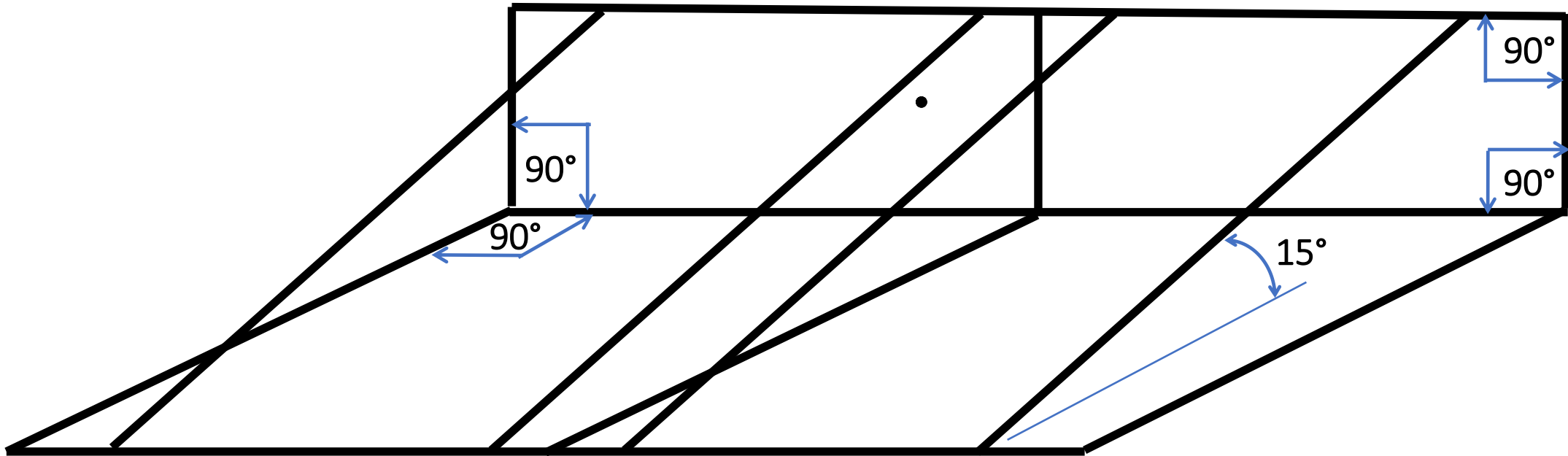
Assembled Frame Dimensions

Solar Panel Array Frame



EMT Conduit Lengths

Solar Panel Array Frame



Assembled Frame Angles